

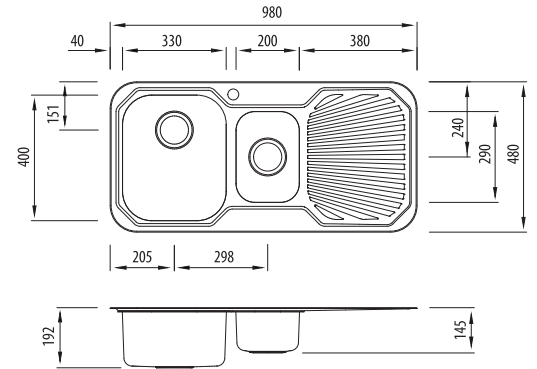
Petite

Proudly Aussie made

All dimensions in mm

PE301

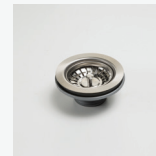
1 & 1/2 Bowl Sink With Drainer



Specifications /

| | |
|--|--|
| Sink size | 980W x 480H mm |
| Bowl size | Main Bowl 330W x 400H x 180D / 21L 1/2 Bowl 200W x 290H x 130D / 7L |
| Construction | 2 piece, bowls and drainer seam welded |
| Material | 304 grade, 18/10 polished stainless steel (0.8 mm thick) |
| Installation | Topmount recommended |
| Fixings | Adjustable clips and sealing foam supplied |
| Min cabinet size | 600 mm |
| Tap holes | Available 0 to 3 tap holes (specify when ordering) |
| Waste fittings | 2 x 90 mm basket wastes included |
| Overflow | Not available |
| Carton size | 990 x 490 x 200 mm |
| Weight | 7 kg |
| Warranty | Lifetime manufacturer's warranty (refer to oliveri.com.au) |
| Maintenance and care instructions | All surfaces should be cleaned with mild liquid detergent or soap and water. To maintain the shine on your Oliveri stainless steel sink, we recommended the use of any of the easy to obtain, non-abrasive stainless steel cleaners or metal polishes. |

Included accessories /



AC14
Basket Waste



AC14
Basket Waste



AC15
Bamboo Board



AC18
Colander